

AJ65FBTA4-16DE CC-Link System Low Profile Waterproof Type Remote I/O Module User's Manual

● SAFETY PRECAUTIONS ●
 (Read these precautions before using.)

When using this equipment, thoroughly read this manual. Also pay careful attention to safety and handle the module properly. These precautions apply only to this equipment. Refer to the CPU module user's manual for a description of the PC system safety precautions. These ●SAFETY PRECAUTIONS● classify the safety precautions into two categories: "DANGER" and "CAUTION".

	DANGER	Procedures which may lead to a dangerous condition and cause death or serious injury if not carried out properly.
	CAUTION	Procedures which may lead to a dangerous condition and cause superficial to medium injury, or physical damage only, if not carried out properly.

Depending on circumstances, procedures indicated by ⚠CAUTION may also result in to serious results. In any case, it is important to follow the directions for usage. Store this manual in a safe place so that you can take it out and read it whenever necessary. Always forward it to the end user.

[DESIGN PRECAUTIONS]

DANGER

- When a communication error occurs in the data link, the communication error station will be in the following condition. Configure an interlocking circuit in a sequence program using the communication status information so that the safety of the overall system is always maintained.
 Accident may occur due to output error or malfunction.
 (1) Input points from remote I/O station will be all switched off.
 (2) Output points from remote I/O station will be all switched off.
- Input could be switched on or off when a problem occurs in the remote I/O modules. So build an external monitoring circuit that will monitor any input signals that could cause a serious accident.

CAUTION

- Use each module in an environment as specified in the "general specification" in the CPU module user's manual. Usage of the module outside the general specification range may cause electric shock, fire, malfunction, product damage or deterioration.
- Do not have control cables and communication cables bundled with or placed near by the main circuit and/or power cables. Wire those cables at least 100mm(3.94 inch) away from the main circuit and/or power cables. It may cause malfunction due to noise interference.

[INSTALLATION PRECAUTIONS]

CAUTION

- Do not directly touch the module's conductive parts. Doing so could cause malfunction or trouble in the module.
- Tighten the module securely using DIN rail or installation screws within the specified torque range. Loose terminal screws may cause a short circuit or erroneous operation. If the terminal screws are too tight, it may cause falling, short circuit or erroneous operation due to damage of the screws.

[WIRING PRECAUTIONS]

DANGER

- Completely turn off the externally supplied power used in the system when installing or placing wiring. Not completely turning off all power could result in electric shock or damage to the product.

CAUTION

- Be sure to ground the FG terminals to the protective ground conductor. Not doing so could result in electric shock or erroneous operation.
- When wiring in the PLC, be sure that it is done correctly by checking the product's rated voltage and the terminal layout.
- Fix the attachment screws of waterproof cap and communication adapter securely within the specified torque range. Loose attachment screws may cause a fire or erroneous operation. If the attachment screws are too tight, it may cause a short circuit or erroneous operation due to damage of the screws.
- Make sure that foreign objects do not get in side the module, such as dirt and wire chips. It may cause fire product failure or malfunction.
- IP67 is only satisfied when the waterproof plug, waterproof cap, and communication adapter are all connected.
- Do not attach the communication cable to the I/O connector, as the I/O connector, the communication connector and the power supply connector are the same in shape. Failure to do so may cause frailer or malfunction of the PLC.

[WIRING PRECAUTIONS]

CAUTION

- Be sure to fix the wires or cables by ducts or clamps when connecting them to the module. Failure to do so may cause damage of the module or the cables due to accidental pull or unintentional shifting of the cables, or malfunctions due to poor contact of the cable.
- Do not install the control lines together with the communication cables, or bring them close to each other. Failure to do so may cause malfunctions due to noise.
- When disconnecting a communication or power supply cable from the module, do not pull on the cable itself. Disconnect cables not fitted with a connectors by holding and pulling the cable connector. Disconnect cables not fitted with a connector by removing the screws from the part connected to the module can cause damage to the module or cable, or, malfunction due to cable connection faults.

[STARTING AND MAINTENANCE PRECAUTIONS]

DANGER

- Do not touch terminals when the power is on. Doing so could cause an electric shock.
- Switch off all phases of the externally supplied power used in the system when cleaning the module or retightening the terminal or module mounting screws. Not doing so could result in electric shock.

CAUTION

- Never try to disassemble or modify module. It may cause product failure, malfunction, fire or cause injury.
- Do not drop or apply any strong impact to the module. Doing so may damage the module.
- Completely turn off the externally supplied power used in the system before mounting or removing the module to/from the panel. Not doing so could result in damage to the product.
- Always make sure to touch the grounded metal to discharge the electricity charged in the electricity charged in the body, etc., before touching the module. Failure to do say cause a failure or malfunctions of the module.

[DISPOSAL PRECAUTIONS]

CAUTION

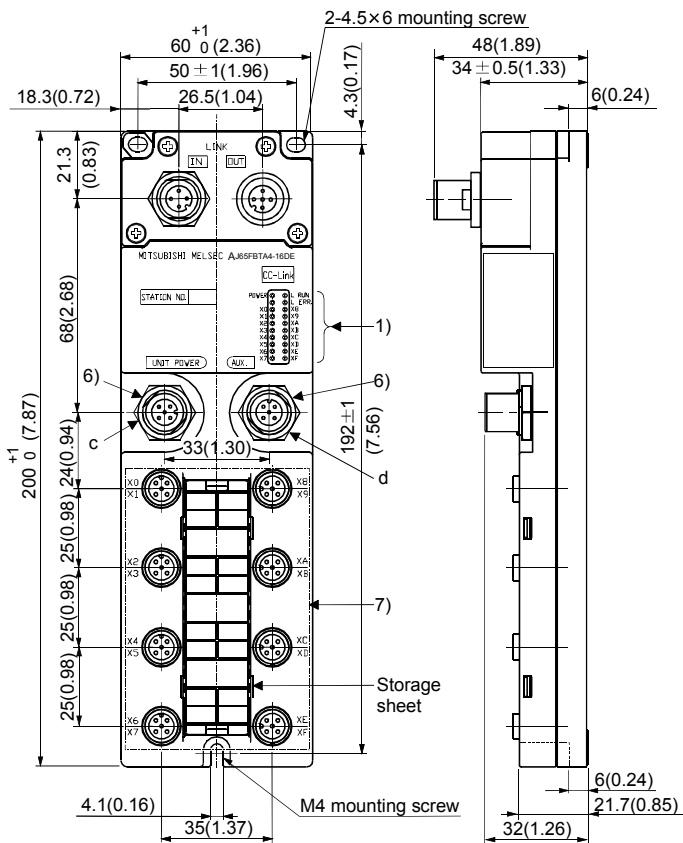
- When disposing of this product, treat it as industrial waste.

(0706)MEE

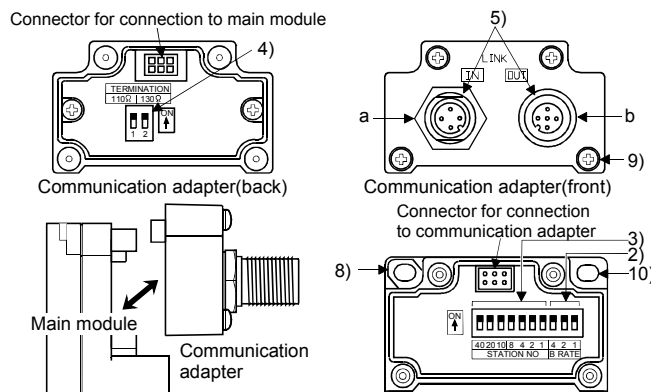
1. Specification

Item	Description
Number of input points	16 points
Isolation method	Photocoupler
Rated input voltage	24 V DC
Rated input current	Approx. 7 mA
Operating voltage range	20.4 to 26.4 V DC (ripple ratio: within 5 %)
Max. simultaneous ON input points	100 %
ON voltage/ON current	14 V or higher/3.5 mA or higher
OFF voltage/OFF current	6 V or lower/1.7 mA or lower
Input resistance	Approx. 3.3 kΩ
Response time	OFF→ON
	ON→OFF
Wiring method for common	16 points/common (waterproof connector 2 to 4-wire type)
Input form	Negative Common (source type)
Number of stations occupied	1 station 32 points assignment (use 16 points)
I/O module power supply	Voltage
	Current
Noise durability	DC type noise voltage 500 Vp-p, noise width 1 μs, noise frequency 25 to 60 Hz (noise simulator condition)
Withstand voltage	500 V AC for 1 minute between all DC external terminals and ground
Insulation resistance	10 MΩ or higher, measured with a 500 V DC insulation resistance tester between all DC external terminals and ground
Protection of degree	IP67
Weight	0.40 kg
Option	Waterproof cap: A6CAP-WP2

For information about the connection devices necessary to use the main module, see the CC-Link System Small-Type Remote I/O Module User's Manual.



Unit: mm(inch)

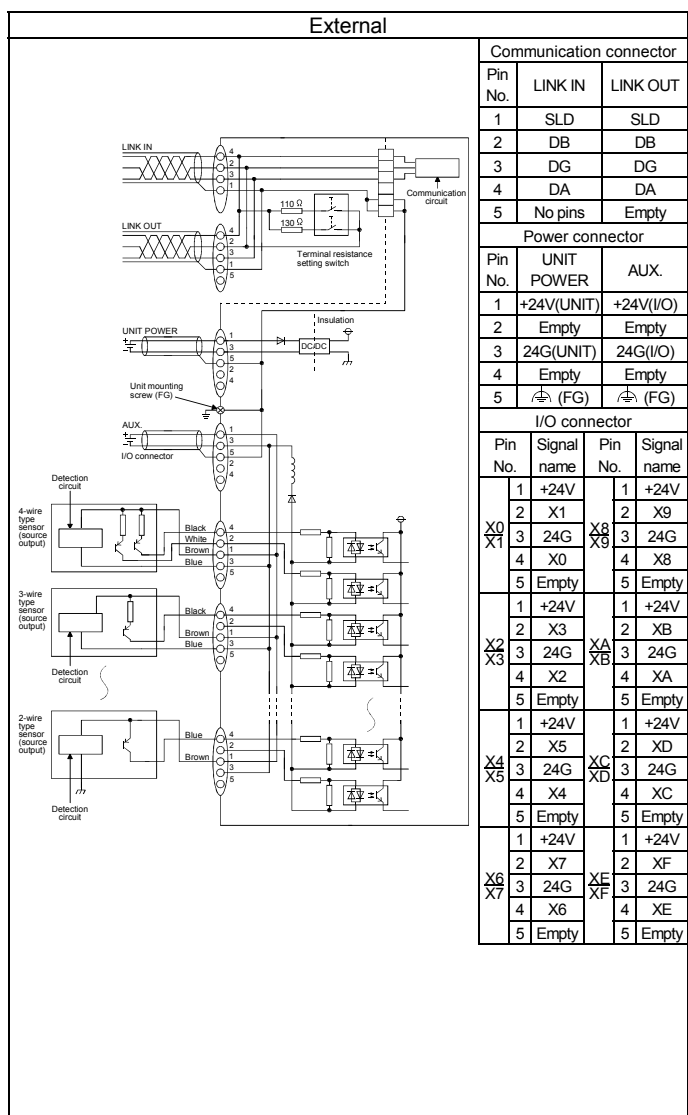


2. Name and Setting of Each Area

No.	Item	Description																																	
1)	Operating status indicator LEDs	<table border="1"> <thead> <tr> <th>LED name</th> <th>Confirmation details</th> </tr> </thead> <tbody> <tr> <td>POWER</td> <td>ON: Power supply ON OFF: Power supply OFF</td> </tr> <tr> <td>L RUN</td> <td>ON: Normal communication OFF: Communication shut off (time expiration error)</td> </tr> <tr> <td rowspan="2">L ERR.</td> <td>ON: Communication data error Flash at regular intervals: Indicates that the station number setting or transmission speed setting switch position was changed while power is ON</td> </tr> <tr> <td>Flash at irregular intervals: When the setting of the terminal resistor is wrong; when the cable for the module or CC-Link is affected by noise OFF: Normal communication</td> </tr> <tr> <td>X0 to F</td> <td>ON: Input ON OFF: Input OFF</td> </tr> </tbody> </table>	LED name	Confirmation details	POWER	ON: Power supply ON OFF: Power supply OFF	L RUN	ON: Normal communication OFF: Communication shut off (time expiration error)	L ERR.	ON: Communication data error Flash at regular intervals: Indicates that the station number setting or transmission speed setting switch position was changed while power is ON	Flash at irregular intervals: When the setting of the terminal resistor is wrong; when the cable for the module or CC-Link is affected by noise OFF: Normal communication	X0 to F	ON: Input ON OFF: Input OFF																						
		LED name	Confirmation details																																
POWER	ON: Power supply ON OFF: Power supply OFF																																		
L RUN	ON: Normal communication OFF: Communication shut off (time expiration error)																																		
L ERR.	ON: Communication data error Flash at regular intervals: Indicates that the station number setting or transmission speed setting switch position was changed while power is ON																																		
	Flash at irregular intervals: When the setting of the terminal resistor is wrong; when the cable for the module or CC-Link is affected by noise OFF: Normal communication																																		
X0 to F	ON: Input ON OFF: Input OFF																																		
2)	Transmission speed setting switch	<table border="1"> <thead> <tr> <th rowspan="2">Setting value</th> <th colspan="3">Setting switch status</th> <th rowspan="2">Transmission speed</th> </tr> <tr> <th>4</th> <th>2</th> <th>1</th> </tr> </thead> <tbody> <tr> <td>0</td> <td>OFF</td> <td>OFF</td> <td>OFF</td> <td>156 kbps</td> </tr> <tr> <td>1</td> <td>OFF</td> <td>OFF</td> <td>ON</td> <td>625 kbps</td> </tr> <tr> <td>2</td> <td>OFF</td> <td>ON</td> <td>OFF</td> <td>2.5 Mbps</td> </tr> <tr> <td>3</td> <td>OFF</td> <td>ON</td> <td>ON</td> <td>5.0 Mbps</td> </tr> <tr> <td>4</td> <td>ON</td> <td>OFF</td> <td>OFF</td> <td>10 Mbps</td> </tr> </tbody> </table> <p>Be sure to set the transmission speed within the above range. Remove the communication adapter on the top part of the module to set the transmission speed. (When shipped from the factory, all settings are set to OFF.)</p>	Setting value	Setting switch status			Transmission speed	4	2	1	0	OFF	OFF	OFF	156 kbps	1	OFF	OFF	ON	625 kbps	2	OFF	ON	OFF	2.5 Mbps	3	OFF	ON	ON	5.0 Mbps	4	ON	OFF	OFF	10 Mbps
Setting value	Setting switch status			Transmission speed																															
	4	2	1																																
0	OFF	OFF	OFF	156 kbps																															
1	OFF	OFF	ON	625 kbps																															
2	OFF	ON	OFF	2.5 Mbps																															
3	OFF	ON	ON	5.0 Mbps																															
4	ON	OFF	OFF	10 Mbps																															
3)	Station number setting switch	<p>Select "10", "20" or "40" to set the tens place of the station number. Select "1", "2", "4" or "8" to set the ones place of the station number. Always set the station number within the range of 1 to 64. (*1) (Example) Set the switches as below when setting the station number to 32:</p> <table border="1"> <thead> <tr> <th rowspan="2">Station number</th> <th colspan="2">Tens place</th> <th colspan="2">Ones place</th> </tr> <tr> <th>40</th> <th>20</th> <th>10</th> <th>8</th> <th>4</th> <th>2</th> <th>1</th> </tr> </thead> <tbody> <tr> <td>32</td> <td>OFF</td> <td>ON</td> <td>ON</td> <td>OFF</td> <td>OFF</td> <td>ON</td> <td>OFF</td> </tr> </tbody> </table> <p>Remove the communication adapter on the top part of the module to set the station number. (When shipped from the factory, all settings are set to OFF.)</p>	Station number	Tens place		Ones place		40	20	10	8	4	2	1	32	OFF	ON	ON	OFF	OFF	ON	OFF													
Station number	Tens place			Ones place																															
	40	20	10	8	4	2	1																												
32	OFF	ON	ON	OFF	OFF	ON	OFF																												
4)	Terminal resistance setting switch	<p>The terminal resistor can be turned to the ON setting by using the select switch.</p> <table border="1"> <thead> <tr> <th>DIP switch1</th> <th>DIP switch 2</th> <th>Contents</th> </tr> </thead> <tbody> <tr> <td>OFF</td> <td>OFF</td> <td>No terminal resistance</td> </tr> <tr> <td>ON</td> <td>OFF</td> <td>110Ω resistor ON</td> </tr> <tr> <td>OFF</td> <td>ON</td> <td>130Ω resistor ON</td> </tr> <tr> <td>ON</td> <td>ON</td> <td>Setting prohibited</td> </tr> </tbody> </table> <p>(When shipped from the factory, all settings are set to OFF.)</p>	DIP switch1	DIP switch 2	Contents	OFF	OFF	No terminal resistance	ON	OFF	110Ω resistor ON	OFF	ON	130Ω resistor ON	ON	ON	Setting prohibited																		
DIP switch1	DIP switch 2	Contents																																	
OFF	OFF	No terminal resistance																																	
ON	OFF	110Ω resistor ON																																	
OFF	ON	130Ω resistor ON																																	
ON	ON	Setting prohibited																																	
5)	Waterproof connector for transmission line *2	<table border="1"> <thead> <tr> <th>Silk</th> <th>Contents</th> </tr> </thead> <tbody> <tr> <td>a LINK IN</td> <td>Connector for connecting the transmission line from the IN side (master station side). (Male 4 pins)</td> </tr> <tr> <td>b LINK OUT</td> <td>Connector for connecting the transmission line from the OUT side. Be sure to attach the waterproof cap when not in use. (Female 5 pins) (Tightening torque range: 29 to 34 N.cm)</td> </tr> </tbody> </table>	Silk	Contents	a LINK IN	Connector for connecting the transmission line from the IN side (master station side). (Male 4 pins)	b LINK OUT	Connector for connecting the transmission line from the OUT side. Be sure to attach the waterproof cap when not in use. (Female 5 pins) (Tightening torque range: 29 to 34 N.cm)																											
Silk	Contents																																		
a LINK IN	Connector for connecting the transmission line from the IN side (master station side). (Male 4 pins)																																		
b LINK OUT	Connector for connecting the transmission line from the OUT side. Be sure to attach the waterproof cap when not in use. (Female 5 pins) (Tightening torque range: 29 to 34 N.cm)																																		
6)	Waterproof connector for power line *2	<table border="1"> <thead> <tr> <th>Silk</th> <th>Contents</th> </tr> </thead> <tbody> <tr> <td>c UNIT POWER</td> <td>Connector for supplying power to the module. (Male 5 pins)</td> </tr> <tr> <td>d AUX.</td> <td>Connector for supplying power to a load, etc. (Male 5 pins)</td> </tr> </tbody> </table>	Silk	Contents	c UNIT POWER	Connector for supplying power to the module. (Male 5 pins)	d AUX.	Connector for supplying power to a load, etc. (Male 5 pins)																											
Silk	Contents																																		
c UNIT POWER	Connector for supplying power to the module. (Male 5 pins)																																		
d AUX.	Connector for supplying power to a load, etc. (Male 5 pins)																																		
7)	Waterproof connector for input connection *2	Waterproof connector for connection Input signal. (Female 5 pins) Be sure to attach waterproof cap A6CAP-WP2 (sold separately) when not in use. (Tightening torque range: 29 to 34 N.cm)																																	
8)	FG metal fitting	For module FG terminal (tightening torque range: 78 to 118 N.cm)																																	
9)	Communication adapter fixing screw	When replacing the main body online or changing switch setting, attach/remove the communication adapter with this screw. (Tightening torque range: 42 to 58 N.cm)																																	
10)	Module attachment hole	Screw hole for module attachment. 2-4.5 X 6 length hole (M4 attachment screw) (Tightening torque range: 78 to 118 N.cm)																																	

*1: Duplicate station number cannot be set.

*2: Waterproof connector (based on IEC947-5-2, M12 type)



Communication connector			
Pin No.	LINK IN	LINK OUT	
1	SLD	SLD	
2	DB	DB	
3	DG	DG	
4	DA	DA	
5	No pins	Empty	
Power connector			
Pin No.	UNIT POWER	AUX.	
1	+24V(UNIT)	+24V(I/O)	
2	Empty	Empty	
3	24G(UNIT)	24G(I/O)	
4	Empty	Empty	
5	⏏ (FG)	⏏ (FG)	
I/O connector			
Pin No.	Signal name	Pin No.	Signal name
1	+24V	1	+24V
2	X1	2	X9
3	24G	3	24G
4	X0	4	X8
5	Empty	5	Empty
X0 X1		X8 X9	
1	+24V	1	+24V
2	X3	2	XB
3	24G	3	24G
4	X2	4	XA
5	Empty	5	Empty
X2 X3		XA XB	
1	+24V	1	+24V
2	X5	2	XD
3	24G	3	24G
4	X4	4	XC
5	Empty	5	Empty
X4 X5		XC XD	
1	+24V	1	+24V
2	X7	2	XF
3	24G	3	24G
4	X6	4	XE
5	Empty	5	Empty
X6 X7		XE XF	