

Supplementary Description for Q68B Extension Base Unit

BCN-P5627-A

The base mounting hole and the base unit mounting screw are added.

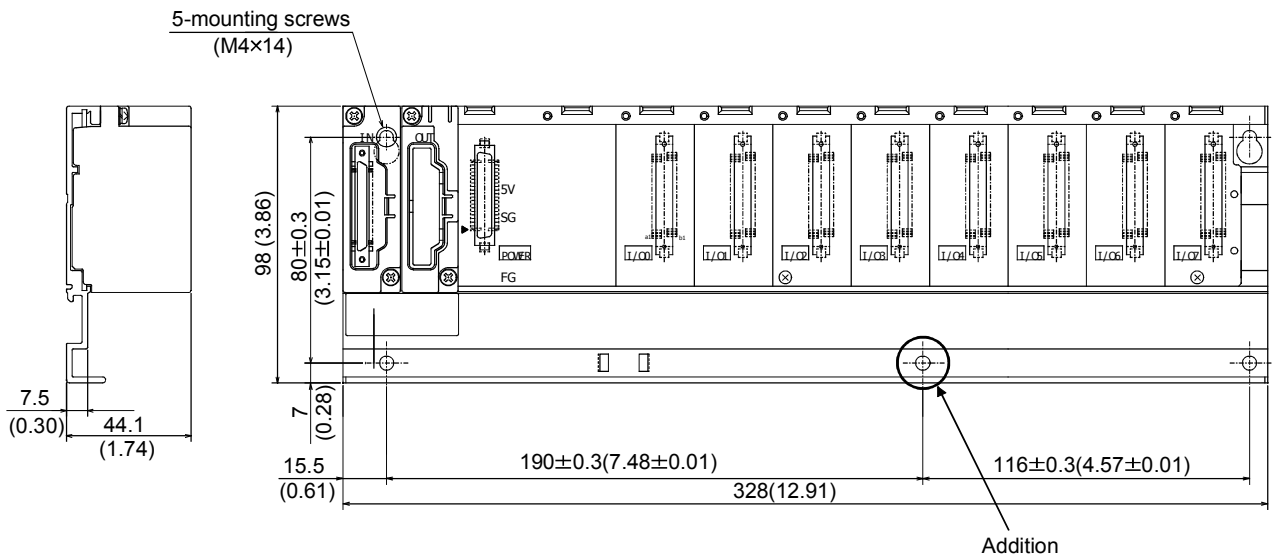
Use them when placing the model at the place with large vibration or impact.

For specification and handling other than changes, refer to QCPU (Q mode) CPU Module User's Manual (Hardware).

1. Changes

Item	Before change	After change
Base mounting hole	4	5
Included parts (Base unit mounting screw (M4×14))	4	5

2. External Dimensions



Unit: mm (inch)