

Energy Measuring Module

Model QE81WH

User's Manual (Hardware)

- Before using this module, please read both this manual and Details carefully and pay full attention to safety to handle this module correctly.
- Make sure that the end users read this manual and then keep the manual in a safe place for future reference.

ABOUT MANUALS

The following manuals are also related to this module.
Order each manual as needed, referring to the following list.

Manual name	Manual number(model code)
Energy Measuring module User's Manual (Details) QE81WH	IB63563 (19H851)

COMPLIANCE WITH THE EMC AND LOW VOLTAGE DIRECTIVES

- For programmable controller system
To configure a system meeting the requirements of the EMC and Low Voltage Directives when incorporating the Mitsubishi programmable controller (EMC and Low Voltage Directives compliant) into other machinery or equipment, refer to Chapter 9 "EMC AND LOW VOLTAGE DIRECTIVES" of the QCPU User's Manual (Hardware Design, Maintenance and Inspection).
The CE mark, indicating compliance with the EMC and Low Voltage Directives, is printed on the rating plate of the programmable controller.
- For this module
For the compliance of this module with the EMC and Low Voltage Directives, refer to Section 6.1 Wiring.

1. Features

- This Energy Measuring module can measure various types of electric quantity just ONE module.
This Energy Measuring module can measure electric energy, reactive energy, current, voltage, electric power, power factor, and frequency.
Both consumption and regeneration of the electric energy can be measured.
- Extensive monitoring functions
In addition to memorizing the maximum and minimum values, two types of alarm monitoring for upper and lower limit can be performed.
- It also can measure the electric energy for a certain period.
It can measure the electric energy for the duration of time for which the output device is on.
This feature enables to acquire the electric energy needed during device operation or energy per fact.

2. Checking packaged contents

The following items for this device are included in the package. Check that no items are missing.

- Energy Measuring module x 1
- User's Manual (Hardware) x 1

3. Safety Precautions

3.1 Precautions for Operating Environment and Conditions

Do not use this product in the places listed below. Failure to follow the instruction may cause malfunctions and a life decrease of product.

- Places the Ambient temperature exceeds the range 0 ~ 55°C.
- Places the Relative humidity exceeds the range 5 ~ 95% or places with dewfall.
- Altitude exceeds 2000 m.
- Places exposed to rain or water drop.
- Dust, corrosive gas, saline and oil smoke exist.
- Vibration and impact exceed the specifications.
- Installed excluding the control panel.

3.4 Precautions for Start-up and Maintenance

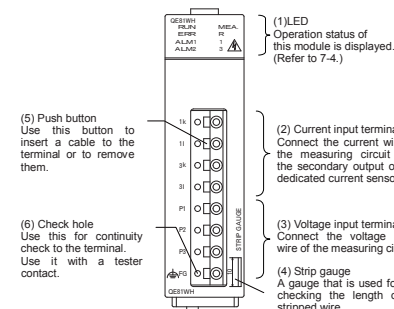
- Use the product within the ratings specified in this manual. If it is used outside the ratings, it may cause not only malfunction or failure but also fire or burnout.
- Before operating the product, check that active bare wire, etc. does not exist around the product. If any bare wire is found, stop the operation immediately, and take an appropriate action such as isolation protection.
- Do not disassemble or modify the module. It may cause failure, malfunction, injury or fire.
- Attaching and detaching the module must be performed after the power source is shut off for all outside phases. If all phases are not shut off, it may cause electric shock, failure or malfunction of the module.
- Do not touch powered wires. It may cause malfunction.
- Tighten mounting screws and cleaning module must be performed after the power source is shut off for all outside phases. If all phases are not shut off, it may cause electric shock, failure or malfunction of the module.
- Use a soft dry cloth to clean off dirt of the module surface.
- Do not let a chemical cloth remain on the surface for an extended period of time nor wipe the surface with thinner or benzene.
- Check for the following items to use this module properly for long time.
<Daily maintenance>
(1) No damage on this module (2) No abnormality with LED indicators (3) No abnormal noise, smell or heat.
<Periodical maintenance (Once every 6 months to 1 year)>
(4) No looseness with installation, wire connection to terminal blocks, and connector connection.
(Check these items under the electric outage condition.)

3.5 Disposal Precautions

- When disposing of this module, treat it as industrial waste.

4. Name and function of each part

4.1 Names and functions of parts of QE81WH are provided below.



Terminal symbol	Name of terminal
1k	1-phase current input terminal (power source side)
1l	1-phase current input terminal (load side)
3k	3-phase current input terminal (power source side)
3l	3-phase current input terminal (load side)
P1	1-phase voltage input terminal
P2	2-phase voltage input terminal
P3	3-phase voltage input terminal
FG	Frame GND terminal

- Supplementary: Check the stripping length using the strip gauge of this module.

3.2 Matters concerning the preparation before use

- Use the module in the specified usage environment and conditions.
- The setting of this module (phase system, primary voltage, primary current) is necessary before using it. ※Please refer to "User's Manual (Details)" about each setting method.

3.3 Installation and Wiring Precautions

- Danger**: Shut off the external power supply for the module in all phases before installing or wiring. Failure to do so may cause an electric shock or damage of the module.

- Any person who is involved in the installation and the wiring of this Sequencer should be fully competent to do the work.
- Use the programmable controller in an environment that meets the general specifications in the User's Manual for the CPU module used. Failure to do so may result in electric shock, fire, malfunction, or damage to or deterioration of the product.
- To mount the module, while pressing the module-mounting lever located in the lower part of the module, fully insert the module fixing projection(s) into the hole(s) in the base unit and press the module until it snaps into place. Incorrect mounting may cause malfunction, failure or drop of the module. When using the Sequencer in an environment of frequent vibrations, fix the module with a screw.
- Tighten the screw within the specified torque range. Under tightening can cause drop of the screw, short circuit or malfunction. Over tightening can damage the screw and/or module, resulting in drop, short circuit, or malfunction.
- Shut off the external power supply for the system in all phases before mounting or removing the module. Failure to do so may result in damage to the product.
- Do not directly touch any conductive part of the module. Doing so can cause malfunction or failure of the module.
- FG terminal must be grounded according to the D-type ground (Type 3) dedicated for sequencer. Failure to do so may result in an electric shock or a malfunction.
- When using this product, make sure to use it in combination with current sensor (EMU2-Series or EMU2-CT5). Please not to exceed the ratings of this product for input of current sensor. For further details, please refer to current sensor manual to maintain the functionality and the accuracy of this product.
- The dedicated current sensor (EMU2-CT50/CT100/CT250/CT400/CT600) is used only for low voltage circuit. It cannot be used with a high voltage circuit. Also, EMU2-CT5 should be used with the secondary side (5A) of transformer transfixed. In case directly using for the circuit, only the circuit up to 200V can be used. If it is connected with a high-voltage circuit by mistake, it may cause a burnout of the device and a fire. It is critically dangerous.
- The dedicated current sensor has a polarity (directionality). Be careful about it when installing the module.
- Take care not entering any foreign objects such as ships and wire pieces into the module. It may cause a fire, a failure or a malfunction.
- In order to prevent the module from incoming foreign objects such as wire pieces during wiring work, a foreign-object preventive label is placed on the module. While a wiring work is performed, keep the label on the module. Before operating the system, peel off the label for heat release. If the foreign-object preventive label is not peeled and the system is in use, residual heat inside the module may reduce the product life.
- The wires to be connected to the module shall be placed in a duct or fixed together by clamping. If the electric wires are not placed in the duct or clamped together, loosen wires or their movement or careless stretch may cause a breakage of the module or wire or a malfunction due to poor contact of electric wires.
- Use appropriate size of electric wires. If inappropriate size of electric wire is used, it may cause a fire due to generated heat.
- In case using stranded wire, take measures so that the filament should not vary by using a bar terminal or by processing the point twisted. Use the bar terminal appropriated for the size of electric wires. If inappropriate bar terminal is used, a wire breakage or a contact failure may occur, which may cause a device malfunction, a failure, a burnout, or a fire.
- After inserting the electric wire or a bar terminal, make sure that no missing insertion is existing. Missing insertion may cause a device malfunction, a fire, or an electric shock.
- If the wires connected to the module are strongly pulled off, it may cause a malfunction or a breakage to the module or the wire.
- Ensure the wiring to the module properly, checking the rated voltage and current of the product and the terminal pin assignment. If the input voltage exceed the rated voltage or the wiring is improper, it may cause a fire or a breakage. (Insile load: 22N or less)
- Do not exceed the specified voltage when doing an insulation resistance test and a commercial frequency withstand voltage test.

Caution

4.2 Names and functions of LEDs

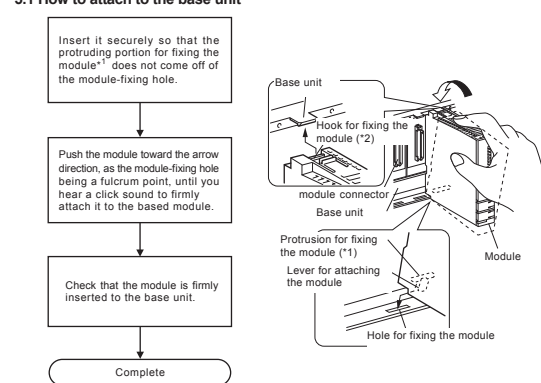
The following describes names and functions of LEDs.

Name	Color	Role	Indicator condition
RUN LED	Green	Displays the operation status of this module.	ON: Normal operation OFF: 5V power discontinuity, watch dog timer error
ERR LED	Red	Displays errors and conditions of this module.	ON: Error occurring (except out-of-range error) ¹⁾ Flashing: Out-of-range error ¹⁾ OFF: Normal operation
ALM1 LED	Red	Displays alarm 1 occurrence status.	Flashing: Alarm 1 occurring ON: Alarm 1 occurring → Not occurring (In the case of alarm 1 reset method = self-retention) OFF: Alarm 1 not occurring
ALM2 LED	Red	Displays alarm 2 occurrence status.	Flashing: Alarm 2 occurring ON: Alarm 2 occurring → Not occurring (In the case of alarm 2 reset method = self-retention) OFF: Alarm 2 not occurring
MEA LED	Green	Displays the status of measurement of this module.	ON: Measuring electric energy (consumption) or electric energy (regeneration) OFF: Other than the above
R LED	Green	Displays the status of measurement (regeneration) of this module.	ON: Measuring electric energy (regeneration) OFF: Other than the above
1 LED	Green	Displays the status of measurement (regeneration) at side 1 of this module.	ON: Measuring 1-phase electric energy (regeneration) OFF: Other than the above
3 LED	Green	Displays the status of measurement (regeneration) at side 3 of this module.	ON: Measuring 3-phase electric energy (regeneration) OFF: Other than the above

※1: For details, check with the list of error codes. (Refer to section 9.1)

5. Attaching and removing the module

5.1 How to attach to the base unit



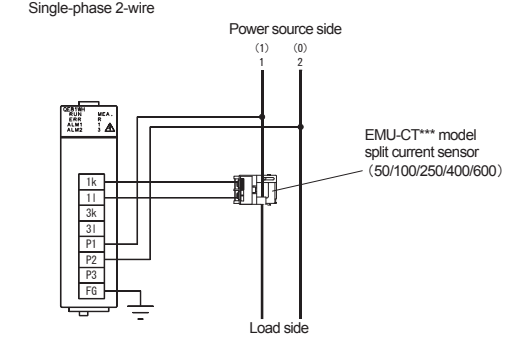
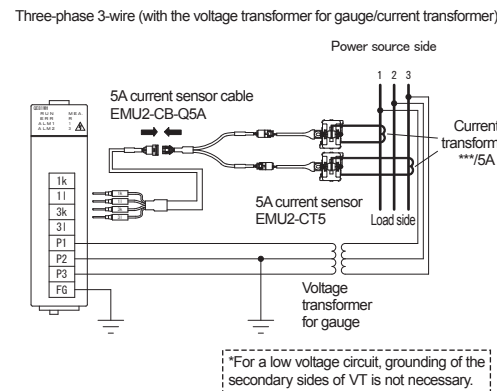
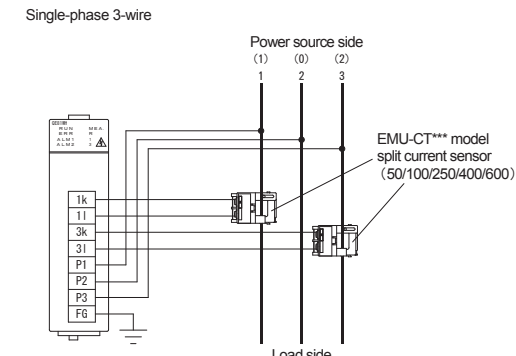
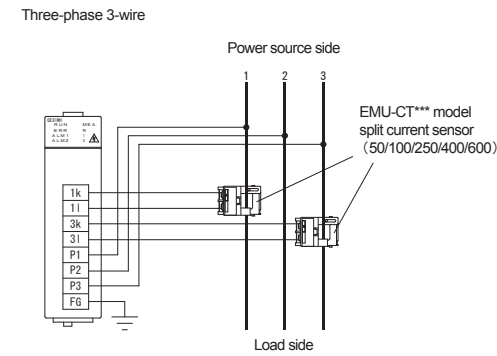
- Attach to the base unit of MELSEC-Q series.
- When attaching the module, make sure to insert the protruding portions for fixing the module into the holes on the base unit. In doing so, insert it securely so that the protruding portion of the module does not come off of the holes. Do not force to attach the module; otherwise the module may break.
- When installing the module at a vibrating area with strong impact, tighten the module to the base unit using screws.
- Fixing-Module screw (arranged by user): M3 x 12mm
Tightening torque of the fixing-module screws: 0.36 ~ 0.48 N·m

6. How to wire

6.1 Wiring

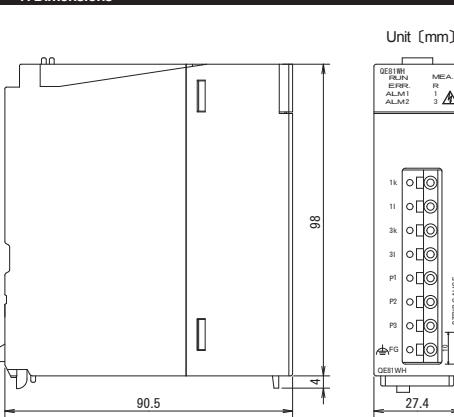
Follow the wiring diagram for external connection of QE81WH.

- When using this product, make sure to use it in combination with current sensor (EMU2-CT series or EMU2-CT5). See the User's Manual (Details) of this unit, and the installation method and the detailed specifications of the current sensor.



*For a low voltage circuit, grounding of the secondary sides of VT is not necessary.

7. Dimensions



8. Specifications

Item	Specifications	
Model	QE81WH	
Phase-wire system	single-phase 2-wire / single-phase 3-wire / three-phase 3-wire	
Voltage circuit	single-phase 2-wire, three-phase 3-wire	110 V, 220 V AC
	single-phase 3-wire	110V AC (b/w 1- and 2-side, 2- and 3-side) 220 V (b/w 1- and 3-side)
Rating	Current	50 A, 100 A, 250 A, 400 A, 600 A AC (The dedicated split type current sensor is used. Each value refers to the current at the primary side of the current sensor.)
	Current circuit	5AAC (The dedicated split type current sensor is used. 5 A current sensor is used together with the current transformer (CT), and the primary-side current is configurable up to 6000 A.)
Frequency	50Hz-60Hz	
Allowable tolerance of module (excluding the current sensor)	Current	±1.0% (100% of the rating)
	Voltage	±1.0% (100% of the rating)
	Electric power	±1.0% (100% of the rating)
	Frequency	±1.0% (45 ~ 65 Hz range of the rating)
	Power factor	±3.0% (against the electric angle 90°)
Electric energy	±2.0% (5 ~ 100% range of the rating, power factor = 1)	
	±2.5% (10 ~ 100% range of the rating, power factor = 0)	
Measurable circuit count	1 circuit	
Operating temperature	0 ~ 55°C (Average daily temperature: 35°C or below)	
Operating humidity	5 ~ 95% RH (No condensation)	
Storage temperature	-25 ~ +75°C	
Operating altitude	2000 m or below Between voltage/current input terminals - FG terminal: 2210 V AC 5 sec	
Commercial frequency withstand voltage	Between voltage/current input terminals - sequencer power source and GND terminals: 2210 V AC 5 sec	
Standard	EMC: EN61131-2:2007, EN61326-1:2006 LVD: EN61131-2:2007, EN61010-1:2001	
Installation area	Inside a control panel	

9. Warranty

- The charge-free warranty period for the product shall be 1 year from the date of your purchase or the date the product is delivered to your specified delivery location. However, the maximum limit of the charge-free warranty period shall be set to 18 months from the time of manufacture by defining the longest distribution period of the product as 6 months after the product is shipped from our manufacturing factory. Also, the charge-free warranty period for the replacement product shall not be extended exceeding the charge-free warranty period for the original product.

- Our company shall not be liable to compensate for any loss arising from events not attributable to our company opportunity loss and lost earning of the customer due to failure of the product, and loss, secondary loss, accident compensation, damage to other products besides our products and other operations caused by a special reason regardless of our company's predictability in both within and beyond the charge-free warranty period.

- Caution**: If an abnormal sound, bad-smelling smoke, fever break out from this module, switch it off promptly, and don't use it.

10. Customer Service

MITSUBISHI ELECTRIC CORPORATION
HEAD OFFICE: TOKYO BUILDING, 2-7-3, MARUNOUCHI, CHIYODA-KU, TOKYO 100-8310, Japan
Please refer to "catalog" or "user's manual (Details)" for more detail.